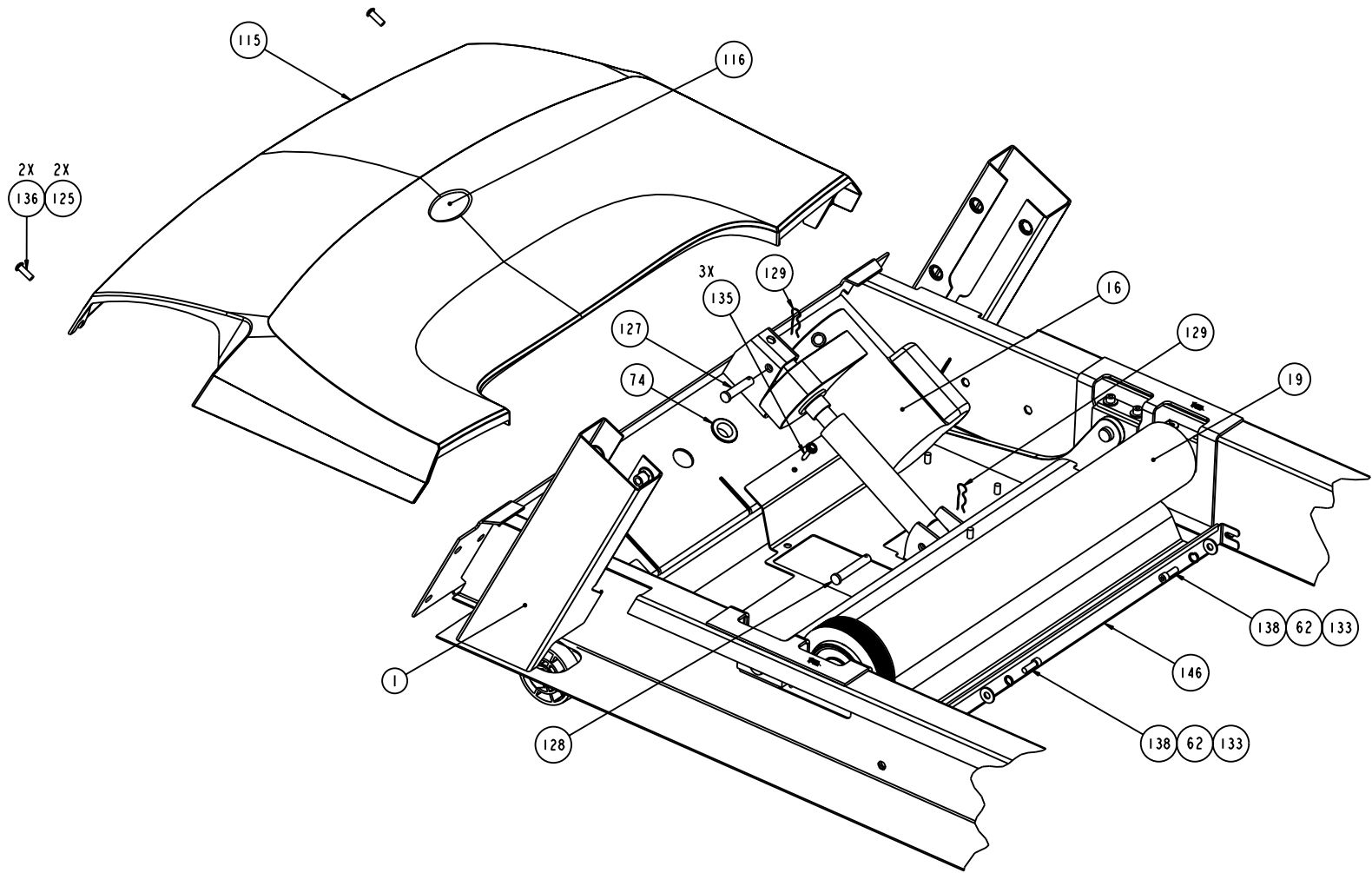
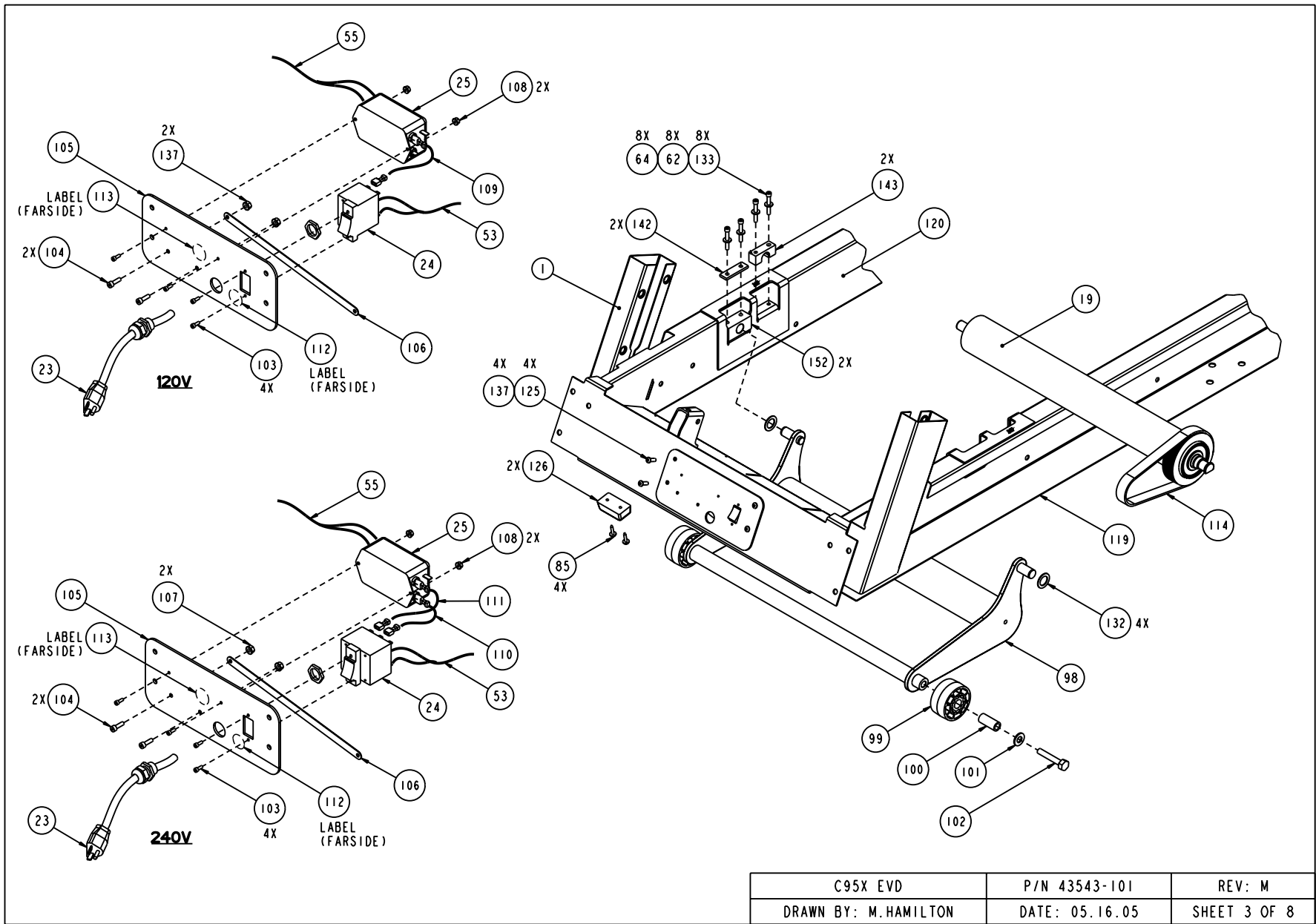
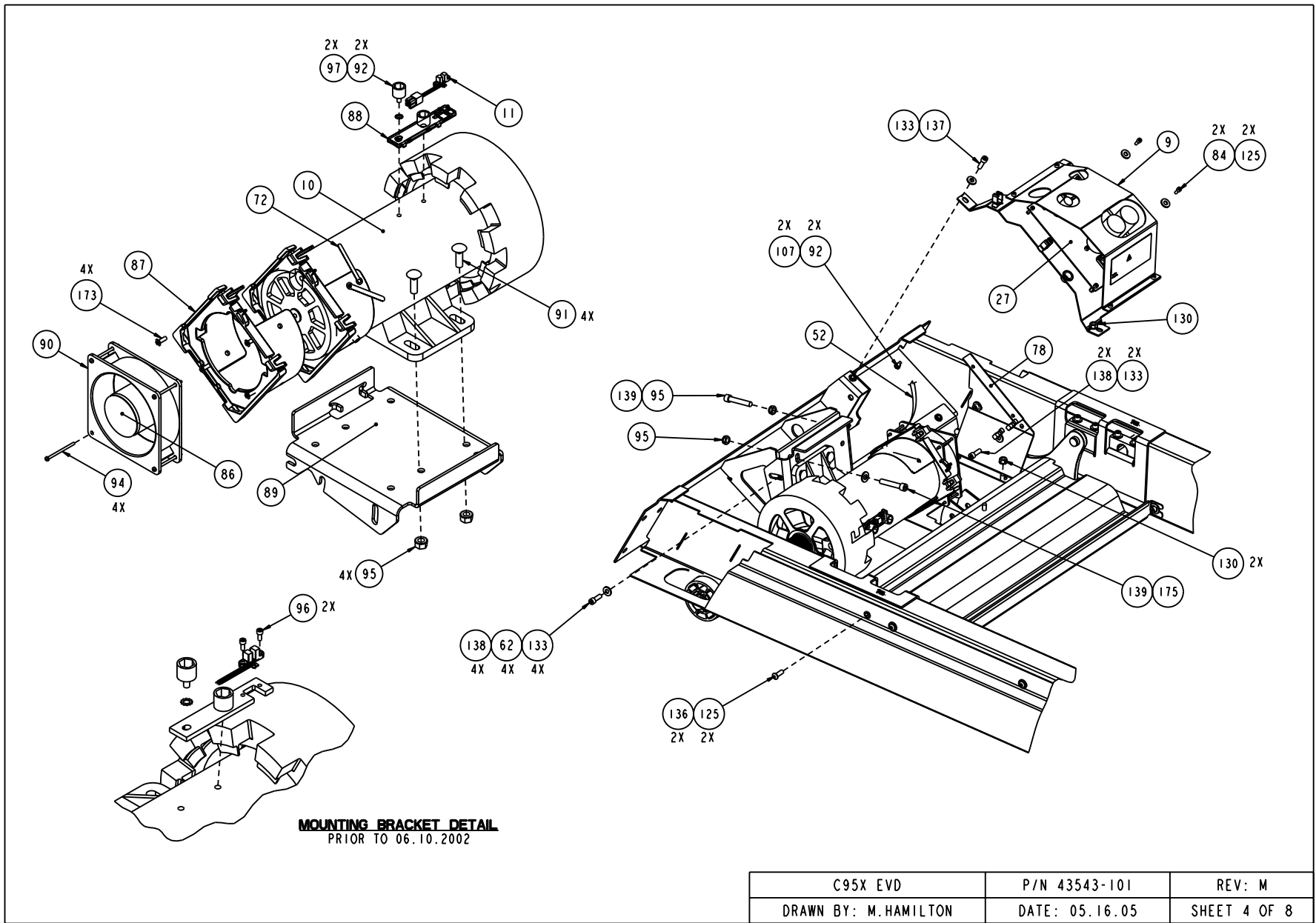


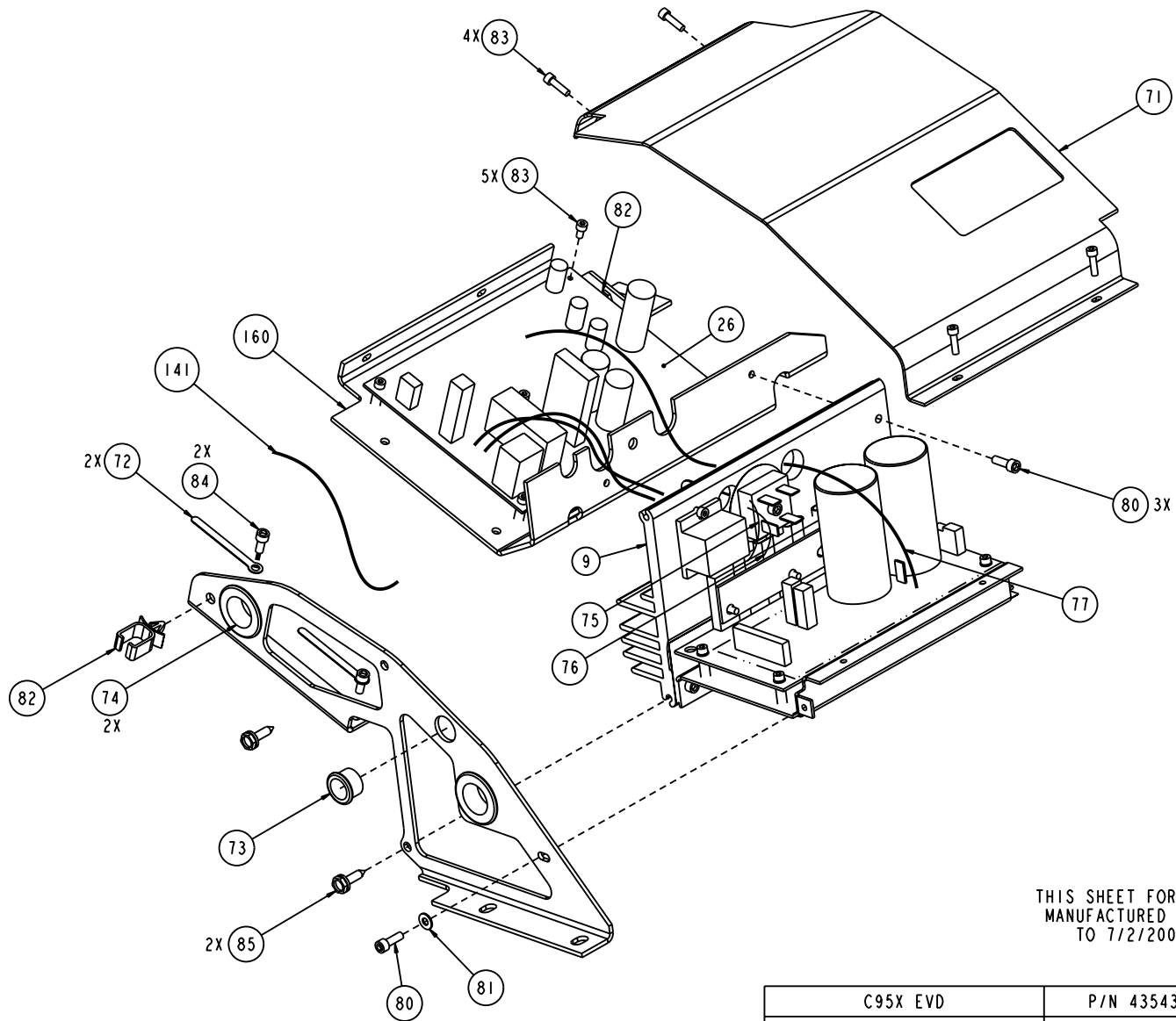
C95X EVD	P/N 43543-101	REV: M
DRAWN BY: M.HAMILTON	DATE: 05.16.05	SHEET 1 OF 8



C95X EVD	P/N 43543-101	REV: M
DRAWN BY: M.HAMILTON	DATE: 05.16.05	SHEET 2 OF 8

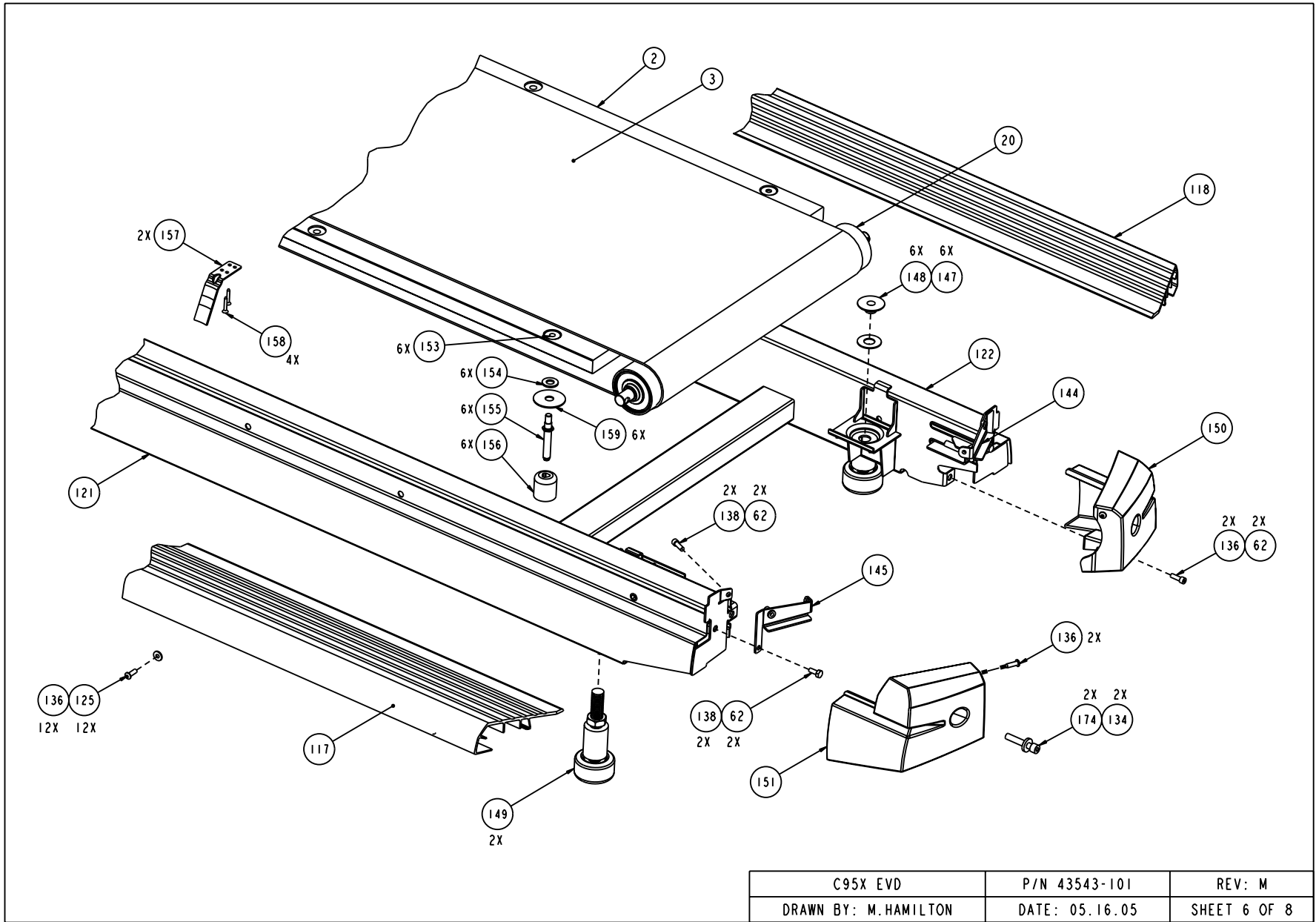


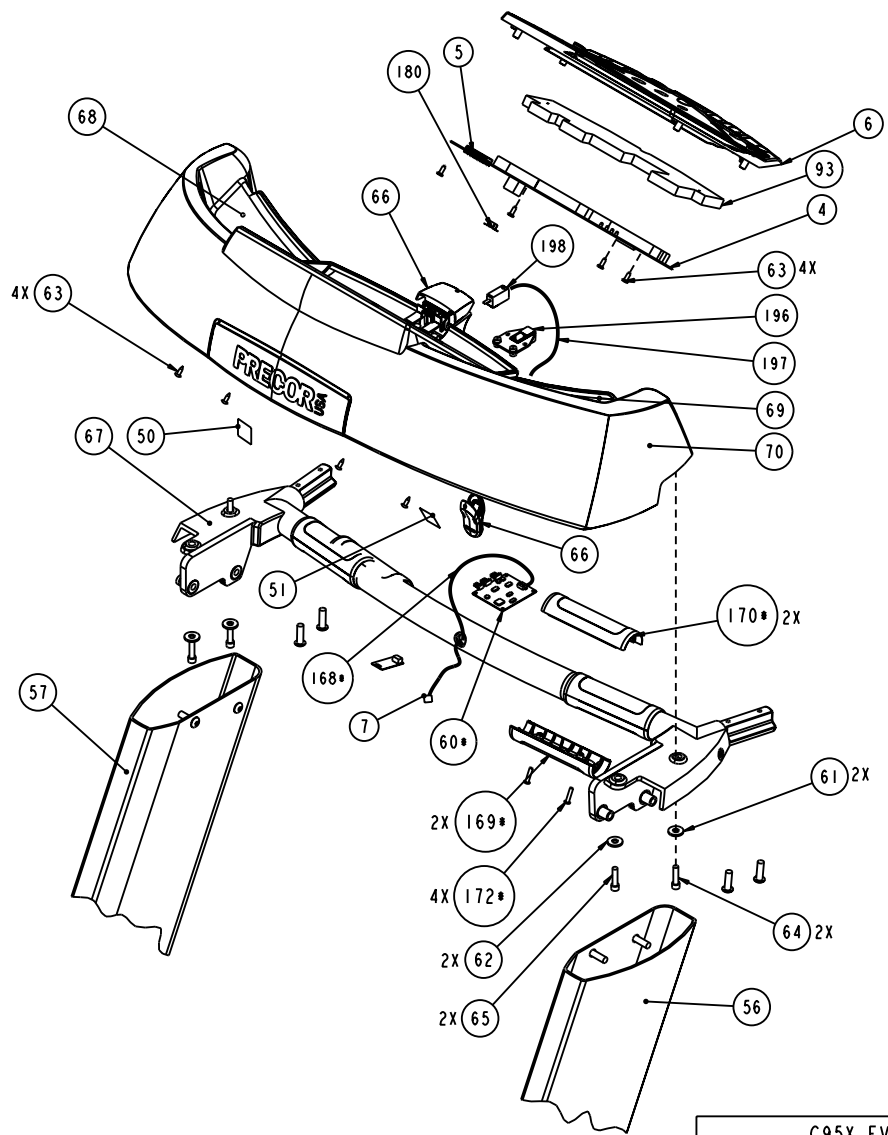




THIS SHEET FOR UNITS  
 MANUFACTURED PRIOR  
 TO 7/2/2001.

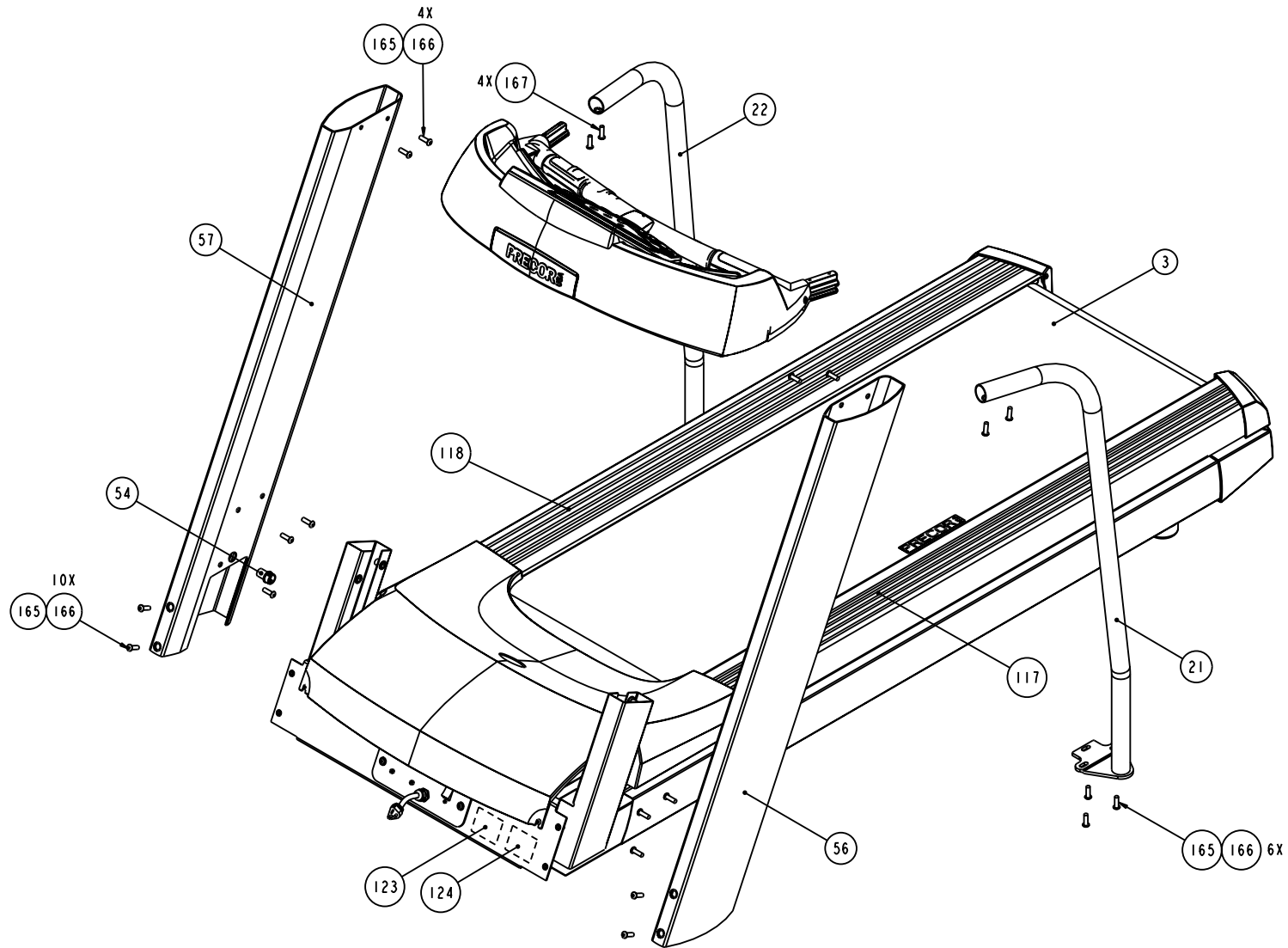
C95X EVD	P/N 43543-101	REV: M
DRAWN BY: M.HAMILTON	DATE: 05.16.05	SHEET 5 OF 8





• HHR OPTION ONLY

C95X EVD	P/N 43543-101	REV: M
DRAWN BY: M.HAMILTON	DATE: 05.16.05	SHEET 7 OF 8



C95X EVD	P/N 43543-101	REV: M
DRAWN BY: M.HAMILTON	DATE: 05.16.05	SHEET 8 OF 8



**C954 (240 VAC, version 1,2)(serial code 6W, 7B)**

<b>Part Number</b>	<b>Description</b>	<b>Bubble Number</b>
48402-102	BED, ASSEMBLED WITH NUTS, BLACK C95	2
36355-128	RUNNING BELT, SIEGLING, 129 X 20.5(	3
39024-505	PCA,DISPLAY,C3	4
43286-505	ASSY,PCA&SW,C954,UPR	4
43286-521	ASSY,PCA&SW,C954,UPR	4
43286-521	ASSY,PCA&SW,C954,UPR	4.01
43286-505	ASSY,PCA&SW,C954,UPR	4.02
39038-203	PROM,C954,UPR,V2.03	5
39038-105	PROM,C954,UPR,V1.05	5.01
44395-511	ASSEMBLY, DISPLAY, LABEL, EN, C954,	6
44905-084	ASSY,CBL,MOD,8P8C,1-1,84"	7
59049-102	95X PCA LWR, W/O SW, W/JUMPER	9
59049-101	LPCA, 95X, WITH 120 VOLT JUMPER	9.01
59036-102	C954 LOWER PCA RETRO-FIT KIT	9.02
12095-101	SWITCH, DIGITAL	11
20108-101	ASSY, SPEED SENSOR, CHI-HUA MOTOR	11
45618-024	ASSY,SENSOR,VANE,SR16C,24"L	11
39207-112	LIFT ACTUATOR 240V	16
39128-104	ASSY, DRIVE ROLLER	19
39123-105	ASSY,TAKE-UP ROLLER	20
39025-201	WELDMENT,HANDRAIL,SHORT,LEFT, PT	21
45672-136	ASSY, LINE CORD, 240V, 20 AMPS	23
10738-102	CKT BRKR,250V,MAGNETIC,ROCKER,	24
11224-102	FILTER,PWR LINE,250VAC,16A	25
43172-105	ASSY,PCA&SW,C95X,S-LOLA	26
43298-103	PROM,C95X,LWR,V1.03	27.01
43286-505	ASSY,PCA&SW,C954,UPR	00004B
10762-109	VELCRO, BLACK LOOP,1.50 X 1.00	50
10762-110	VELCRO, BLACK HOOK,1.50 X 1.00	51
44544-008	ASSY,CBL,2 COND,18AWG,QK DISC,8"	52
45265-021	ASSY,CBL,2 COND,22AWG,MOLEX,36"	53
12135-101	BUSHING,SNAP-IN	54
45273-023	ASSY, CABLE, FILTER TO TERMINAL BLK	55
42604-101	ASSEMBLY, TARGA, LEFT	56
42604-102	ASSEMBLY, TARGA, RIGHT	57
39029-501	ASSY,CABLE,TOUCHSENSOR	58
48026-101	RECEIVER, WIRELESS, HEART RATE, POL	60
WNKN031-009	WASHER, FLT, .753X.088,BLK ZN	61
WALCN025-006	WASHER, SPLIT LOCK, 1/4 MED,	62
PGKN016-050	SCREW,S/T,#8X1/2,TRS,PHIL,BLK	63
CAKN025-175	SCREW,SKHD,1/4-20X1.75,BLK ZN,LK	64
CAKN025-200	SCREW,SKHD,1/4-20X2,BLK ZN	64
CAKN025-100	SCREW,SKHD,1/4-20X1,BLK ZN,LK	65
44202-104	ASSEMBLY, STOP BUTTON	66
59056-101	9.55, C95X HANDLEBAR RETRO KIT	67
39133-101	LABEL,RIGHT DASH,EN,C954	68
39132-111	LABEL, LEFT DASH,EN, C954	69
39004-105	DASH,CONSOLE	70
43017-102	EMI SHIELD, 95X LOWER ELECTRONICS	71

12103-101	CLAMP,CABLE,VINYL COATED	72
10178-111	BUSHING,SNAP-IN,1.25OD X .50 ID	73
10178-107	BUSHING, SNAP	74
40735-101	ASSY, CABLE, S-LOLA TO POWER PCB	77
43004-101	BRACKET,MINI SKIP,SIDE RAIL	78
CAKE016-063	SCREW,SKHD, #8-32 X 5/8,BLK ZN,LK	80
WNCN017-003	WASHER, FLT, #8X.375X.032, ZN	81
11278-101	CABLE CLAMP,INSERT	82
CAKE013-050	SCREW,SKHD, #6-32 X 1/2,BLK ZN,LK	83
CAKE016-038	SCREW,SKHD, #8-32 X 3/8,BLK ZN,LK	84
PKCN019-075	SCREW,S/T,#10X.75,WSHHXHD,ZN	85
43013-101	TARGET FAN, SELF ADHESIVE	86
42600-103	PLATE, MOTOR	87
44087-101	BRACKET, FAN	87
41734-103	BRACKET, VANE SWITCH, MOUNTING	88
41609-104	PIVOT PLATE, MOTOR MOUNT	89
41601-102	FAN, MOTOR, 240V	90
BACN031-100	BOLT, CARRIAGE, 5/16-18X1	91
WAMCN019-002	WASHER, LOCK, EXT TOOTH, #10	92
44411-103	TOUCHSENSOR SHIELD,23-KEY,T2/C2/T3/	93
MNCE016-050	SCREW, MCH, 8-32X1/2, FLTHD, PHIL	93
MGCE013-175	SCREW, MCH, 6-32X1-3/4, PANHD,NYLP	94
KGCN031-027	LOCKNUT,STARWASHER,5/16-18,1/2	95
CAKN011-025	SCREW, SKHD, #4-40X1/4, BLK ZN,LK	96
CBKN019-038	SCREW,SKHD,10-32X.3/8,BLK ZN	97
39115-205	WELDMENT, LIFT PLATFORM, PT	98
36192-101	BUSHING, SPANNER	100
WBCN050-010	WASHER, FLT, 1/2, ID=.531,	101
HCKN050-250	SCREW,HEX,GR 5,1/2-13X2-1/2,BLK ZN	102
42611-501	FACE PLATE,PT	105
KHCN019-013	LOCKNUT, STARWASHER, 10-32,	107
45266-005	ASSY, CABLE, FILTER TO BREAKER 120V	110
45267-005	ASSY,CBL,1 COND,12AWG,QK DISC,5",BL	111
10217-103	BELT, DRIVE, 280J10 POLY V	114
39188-102	ASSY,HOOD,C95X	115
37621-101	LABEL,GROUND EFFECTS,OVAL,DURO-LENZ	116
43630-103	ASSY,BED TRIM,LEFT	117
59033-101	TRIM STRIP CUSHION ASSEMBLY	117.01
43630-104	ASSY,BED TRIM,RIGHT	118
39209-501	LABEL,SIDERAIL,LEFT FRONT,	119
39209-502	LABEL,SIDERAIL,RIGHT FRONT,	120
39209-503	LABEL, SIDERAIL, LEFT REAR,	121
39209-504	LABEL, SIDERAIL,RIGHT REAR,	122
37437-102	LABEL, FUSE, FIRE HAZARD	123
37042-101	LABEL, PWM EQUIPPED PRODUCT	124
WPNN025-007	WASHER,ID=1/4,OD=.625,THK=.065	125
31074-101	FOOT, MOLDED PLASTIC C760,C844	126
10401-106	PIN,CLEVIS, 3/8 X 1.75, SILVER	127
10401-102	PIN, CLEVIS,3/8 X 2 1/4, 9.2	128
10400-103	PIN, HITCH, .093 DIA, SILVER CAD, #	129
KAKN025-013	LOCKNUT,HALF,1/4-20,BLK ZN	130

WACNN081-006	WASH,NYL,BLK, .80 ID X1.25 ODX .060	132
WBCN025-007	WASHER,FLT,1/4X.625X.065,ZN	133
WAVCN038-015	WASHER, FLAT, 3/8 X .875 X .150	134
PKCN019-050	SCREW,S/T,#10X1/2,WSHHXHD,ZN	135
TCNN025-075	SCREW,BTHD,1/4-20X3/4, SS	136
CCNN025-075	SCREW, SKHD,1/4-20X3/4,SS,LK	137
CAKE025-075	SCREW,SKHD,1/4-20 X 3/4,BLK ZN,LK	138
CFKN031-200	SCREW,SKHD,5/16-18X2,BLK ZN,LK	139
41612-102	NUT PLATE, LIFT PLATFORM BLOCK	142
41606-101	BLOCK, DRIVE ROLLER	143
40571-110	BRACKET,ENDCAP SUPPORT,RIGHT,ZNC PL	144
40571-109	BRACKET,ENDCAP SUPPORT,LEFT,ZNC PLT	145
39240-105	ENCLOSURE, LOWER, PT	146
39230-101	WASHER,FELT	147
39222-102	BUSHING,GFX (MACHINED)	148
39220-501	ASSY,FOOT,REAR	149
39192-102	ENDCAP,RH	150
39192-101	ENDCAP,LH	151
39122-102	BLOCK,BUSHING,LIFT PLATFORM	152
33873-104	STUD, BED SPRING	155
43018-101	CUSHION,GFX,URETHANE	156
42452-102	BELT TRACKER	157
DCKN019-100	SCREW,WOOD #10X1, L=1.00	158
WABCN050-006	WASHER, FEN,1/2,.531ID	159
43000-104	BRACKET, LOGIC BOARD	160
PBCN013-025	SCREW,S/T,#6X1/4,PANHD,PHIL,ZN	161
12157-102	BUMPER, RUBBER BUMPON, .44 X .20	164
TCNN031-100	SCREW,BTHD,5/16-18X1, SS	165
WPNN038-008	WASHER,FLT,5/16X.875X.104,SS	166
MRNN025-063	SCREW, MCH,1/4-20X5/8,FLTHD,HEX	167
42714-102	HHR SENSOR,BOTTOM	169
42713-102	HHR SENSOR,TOP	170
TCNN016-075	SCREW, BTHD, 8-32X.75,SS	172
47342-018	ASSY, CABLE, HHR PCA TO GRIP, W/SH	174
WBCN031-007	WASHER,FLT,5/16X.688X.065, ZN	175
44201-103	SWITCH MOUNT, M9.5X,C95X	196
45283-011	ASSY,CBL,UPPER SAFETY SWITCH,11"	197
12259-102	SWITCH,MICRO,PLUNGER,SPNC	198
39211-502	KIT,HARDWARE	200
11075-020	FUSE,200MA,250VAC,SLOW,RADIAL	201
11075-102	FUSE,1.00A,250VAC,SLOW,RADIAL	202
11075-105	FUSE,2.00A,250VAC,SLOW,RADIAL	203
12112-101	RIVNUT,INSERT,HEX,1/4-20	210
12112-102	RIVNUT,INSERT,HEX,5/16-18 (LENGTH .	211
59055-101	95X DUST SHIELD RETRO KIT	220
20002-113	BRUSH W/ LEAD, CHI HUA 93 SERIES DC	235
20002-117	GROUND BRUSH, CHI HUA 93 SERIES DC	236
50998-102	C95X STOP BUTTON RETRO KIT	250
44465-004	ASSY,CLB,1C,,14 AWG,QK DISC,BLK, 4"	299
44905-006	ASSY,CBL,MOD,8P8C,1-1,6"	299
59089-101	C95X V1&2 DRIVE MOTOR KIT	600

11277-111	RIVNUT, INSERT, LG DIA,5/16X18	900
59048-101	9.5X, C95X BED SPRING KIT	910
20002-109	BRUSH, MOTOR, PWM, C944	990
20002-116	BRUSH, MOTOR (YP00542, YP00557)	991
39212-101	KIT,LITERATURE	999